

# M133TGML(HB)

13.3" Intel® Core™ i5-1135G7 Defence Ultra Rugged Tablet



## KEY FEATURES

- 13.3", 1920 x 1080, 500 nits with optical bonding (optional high brightness 800 nits)
- MIL-STD-38999 connector for LAN/ USB2.0 and Power/ RS232 input
- Projected capacitive multi-touch screen
- Supports Glove/ Rain/ Stylus modes, active stylus
- High efficiency cooling system with fanless design
- MIL-STD-810G Compliant
- With IP65 dust and water-resistant certification



## SPECIFICATIONS

### Display

<b>Touch / Glass</b>	Projected Capacitive Multi Touch Screen	<b>Resolution</b>	1920x1080
<b>Size</b>	13.3 inches	<b>Contrast Ratio</b>	1000:1
<b>Panel Brightness</b>	500 nits 800 nits(Optional)	<b>View Angles</b>	89,89,89,89

### System Specification

<b>Processor</b>	Intel Core i5-1135G7 2.4GHz (up to 4.2GHz)	<b>Memory</b>	4GB DDR4 SDRAM 8GB DDR4 SDRAM (Optional) 16GB DDR4 SDRAM (Optional) 32GB DDR4 SDRAM (Optional)
<b>Storage</b>	128GB M.2 SSD up to 2TB M.2 SSD (Optional) Storage 2 up to 1x 2TB M.2 SSD (Optional)	<b>Ethernet controller</b>	1 x RJ45-10/100/1000 Mbps LAN
<b>Security</b>	Trusted Platform Module (TPM) 2.0 Kensington Lock	<b>Operating System</b>	Windows 10 IoT Enterprise 64 bit
<b>WLAN</b>	Support	<b>BT</b>	BT Support
<b>WWAN</b>	4G/ LTE(optional)	<b>GNSS</b>	GPS, GLONASS

### Camera

<b>Rear Camera</b>	8MP Rear Camera with auto-focus and LED light
--------------------	---

### Mechanical

<b>Dimension</b>	338.2 x 239.8 x 47.3 mm	<b>Weight</b>	2.4 Kg (Without Kickstand), 2.8 Kg (With Kickstand)
<b>Enclosure</b>	Rear Magnesium Alloy Die-Casting Design	<b>Cooling System</b>	Fanless Design

### IO Ports

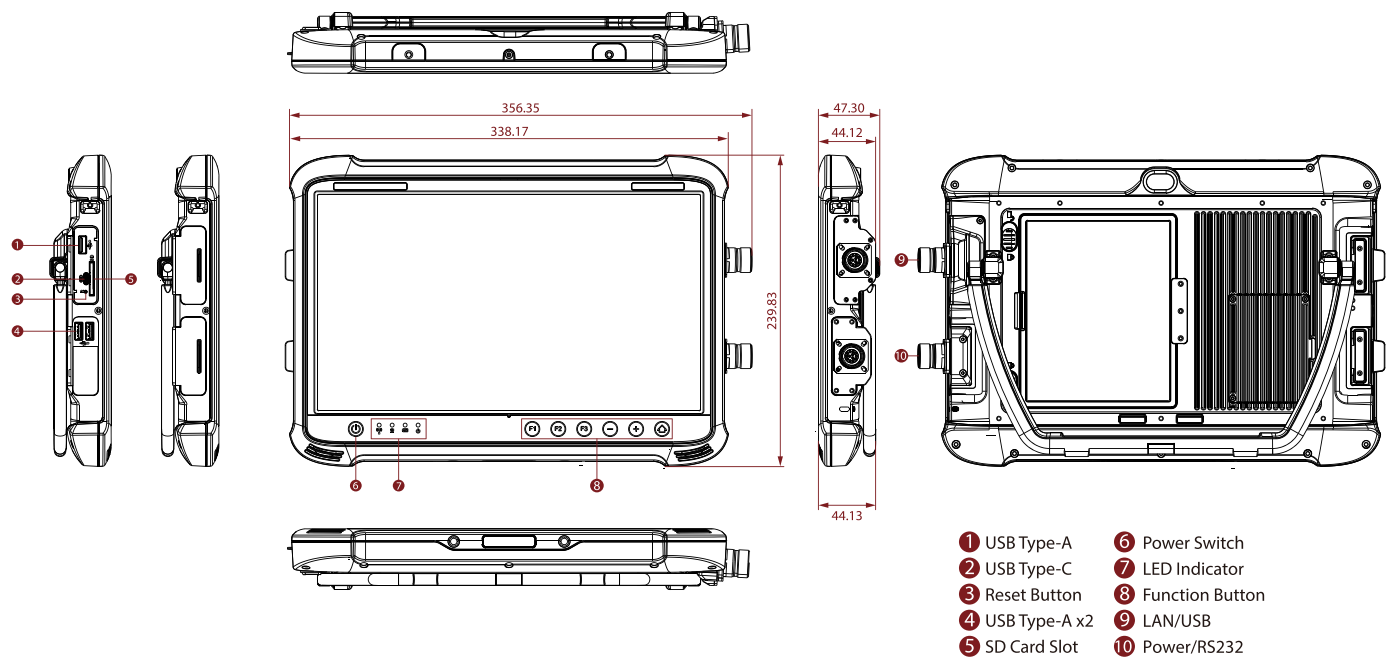
<b>USB Port</b>	3 x USB 3.0(Type A), 1 x USB 2.0(MIL-STD-38999 connector),1 x USB 3.1(Type C)	<b>Serial Port</b>	1 x RS-232 Serial COM Port(MIL-STD-38999 connector)
<b>SD Card Slot</b>	1 x Micro SD Card Slot	<b>Video</b>	1 x HDMI (Optional)
<b>Audio</b>	2 x 1 watt speaker Integrated Digital Mic With Noise Cancellation	<b>LAN</b>	1 x RJ45-10/100/1000 Mbps LAN(MIL-STD-38999 connector)
<b>Indicator</b>	4x LED Indicator for Power, Battery, SSD, RF status	<b>Docking Connector</b>	1 x Docking connector

### Environment

<b>Operating Humidity</b>	30% to 80% RH, non-condensing	<b>Operating Temperature</b>	-10°C to 50°C (14°F to 122°F)
---------------------------	-------------------------------	------------------------------	-------------------------------

<b>Storage Temperature</b>	-20°C to 60°C (-4°F to 140°F)	<b>Shock</b>	MIL-STD-810G Method 516.6 Procedure I
<b>Vibration</b>	MIL-STD-810G Method 514.6 Procedure I	<b>IP rating</b>	IP65, Dustproof and Waterproof
<b>Drop</b>	MIL-STD-810G Method 516.6, 4 ft	<b>ESD</b>	ESD (Contact/Air) : 12kV/12kV
<b>Compliance</b>			
<b>MIL-STD 461E/F/G</b>	RE101 / RE102 CE101 / CE102 CS118 with EMI Glass / Touch(Optional) RS101 / RS 103 CS101 / CS 106 / CS 109 / CS 114 / CS 115 / CS 116	<b>MIL-STD 810G</b>	Vibration Method 514.6 Humidity Method 507.4 Transit Drop Method 516.5
<b>Certification</b>			
<b>Certification</b>	CE,FCC		
<b>Security Function</b>			
<b>Kensington Lock</b>	Kensington Lock Support		
<b>Control</b>			
<b>Button</b>	1 x Power, 1 x menu, 2 x volume key 3 x Programmable Function Keys		
<b>Power</b>			
<b>Battery</b>	15.4V, typ. 5900 mAh Li-Polymer Battery (4S1P)	<b>Battery Operating Time</b>	More than 10 hours (BAPCo TabletMark v3)
<b>Power Rating</b>	24V DC(MIL-STD-38999/1 connector)	<b>Adapter</b>	100-240V, 50-60Hz / 24V DC
<b>Accessory</b>			
<b>Accessory</b>	Adapter and PowerCord Standard Battery Stylus Stand with Integrated Handle Power/RS232 External Cable LAN/USB2.0 External Cable	<b>Optional Accessory</b>	Shoulder Strap (Optional) Battery Charger (Optional) Active Pen (Optional)

**DIMENSIONS** UNIT:MM



- ① USB Type-A
- ② USB Type-C
- ③ Reset Button
- ④ USB Type-A x2
- ⑤ SD Card Slot
- ⑥ Power Switch
- ⑦ LED Indicator
- ⑧ Function Button
- ⑨ LAN/USB
- ⑩ Power/RS232

## NOTE

1. This is a simplified drawing and some components are not marked in detail.
2. Please contact our sales representative if you need further product information.
3. All specifications are subject to change without prior notice.
4. The product shown in this datasheet is a standard model. For diagrams that contain customized or optional I / O, please contact the Winmate Sales Team for more information.



8 rue du Colonel Chambonnet  
69500 BRON - FRANCE  
04 72 14 18 00  
info@ip-systemes.fr  
[www.ip-systemes.com](http://www.ip-systemes.com)