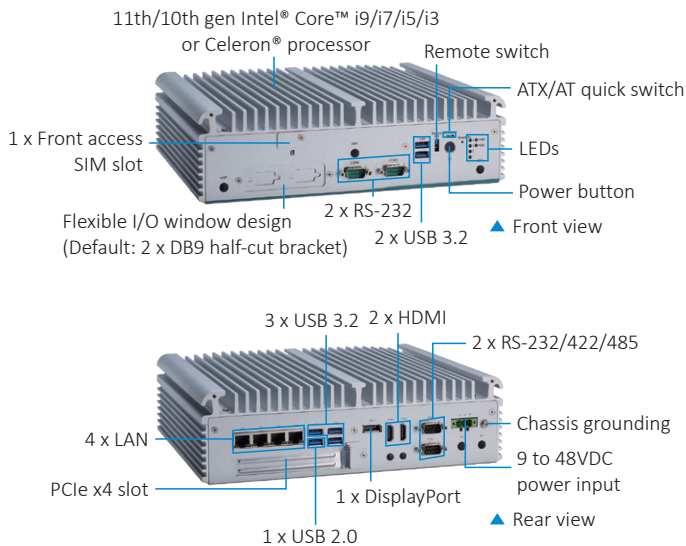


# eBOX710A NEW

Fanless Embedded System with LGA1200 Socket 11th/10th Gen Intel® Core™ i9/i7/i5/i3 or Celeron® Processor, Intel® H420E, 2 HDMI, DisplayPort, 6 USB, 4 LAN, PCIe x4 slot, and 9 to 48 VDC



## Features

- 11th/10th gen Intel® Core™ i9/i7/i5/i3 or Celeron® (Comet Lake-S) up to 65W processor
- 4 GbE LAN and 4 COM ports
- Dual 2.5" SATA HDD drive bays
- 2 HDMI and 1 DisplayPort with dual-view supported
- -40°C to +70°C wide operating temperatures
- Wide range power input from 9 to 48 VDC
- 1 PCIe x4 slot for I/O card
- Flexible I/O Window supported via mPCIe modules



## Specifications

|                     |   |   |
|---------------------|---|---|
| Standard Color      | Silver  |   |
| Construction        | Aluminum extrusion and heavy-duty steel, IP40   |   |
| CPU                 | LGA1200 socket 11th/10th gen Intel® Core™ i9/i7/i5/i3 or Celeron® processor (35W/65W)   |   |
| System Memory       | 2 x 260 pin DDR4-2933 non-ECC SO-DIMM, up to 64GB   |   |
| Chipset             | Intel® H420E  |   |
| BIOS                | AMI   |   |
| System I/O Outlet   | <b>Front side</b><br>1 x Power button<br>1 x AT/ATX quick switch<br>2 x USB 3.2 Gen1<br>1 x Remote switch<br>1 x Front access SIM slot with cover (for M.2 Key B)<br>1 x Reset switch connector<br>2 x RS-232<br>3 x Antenna opening<br>1 x Flexible I/O window (Default: 2 x DB9 half-cut bracket) | <b>Rear side</b><br>1 x DC-in Phoenix type<br>2 x HDMI 1.4b (lockable)<br>1 x DisplayPort 1.2 ++<br>3 x USB 3.2 Gen1<br>1 x USB 2.0<br>4 x GbE (3 x Intel® i210-IT, 1 x Intel® i219-LM)<br>2 x RS-232/422/485<br>2 x Antenna opening<br>1 x Grounding screw<br>1 x PCIe x4 slot |
| Watchdog Timer      | 255 levels, 1 to 255 sec.   |   |
| Storage             | 2 x 2.5" SATA HDD/SSD (up to 15 mm height)<br>2 x mSATA (enabled in BIOS setting)   |   |
| Expansion Interface | 2 x Full-size PCI-Express Mini Card slot (USB + PCIe + SATA signal)<br>1 x M.2 Key B 3050 slot (for 5G; USB signal)<br>1 x Internal SIM slot for PCIe Mini Card slot<br>1 x PCIe x4 slot  |   |
| TPM                 | TPM 2.0   |   |
| System Indicator    | 1 x Green LED for system power<br>1 x Orange LED for HDD active<br>4 x Programmable Green LED   |   |
| Power Input         | 9 to 48 VDC   |   |

---

## Specifications

|                       |   |
|-----------------------|---|
| Operating Temperature | -40°C to +70°C (-40°F to +158°F) with 0.7 m/s air flow (CPU TDP 35W)<br>-40°C to +60°C (-40°F to +140°F) with 0.7 m/s air flow (CPU TDP 65W) (with W.T. DRAM & SSD) |
| Humidity              | 10% - 90%, non-condensing   |
| Shock Vibration       | IEC 60068-2-27 (w/ SSD: 50G, half-sine, 11 ms duration)   |
| Vibration Endurance   | IEC 60068-2-64 (w/ SSD: 3Grms STD, random, 5 - 500 Hz, 1 hr/axis)   |
| Package Vibration     | MIL-STD-810G 514.6C-II compliance   |
| Dimensions            | 280 mm (11.02") (W) x 210 mm (8.26") (D) x 80.5 mm (3.16") (H)  |
| Weight (net/gross)    | 4.9 kg (10.8 lb)/7 kg (15.43 lb)  |
| Certifications        | CE, FCC Class A, UKCA   |
| EOS Support           | Win 11/10 IoT, Linux  |

\* W.T.: Wide Temperature. All W.T. supported products have to be sorted by Axiomtek.

## Packing List

1 x Thermal grease  
1 x 3-pin terminal block connector  
1 x Remote power switch cable  
4 x Foot pad  
1 x M.2 bracket + 2 x thermal pad + screw  
2 x HDD bracket + screws

## Power Protection

### DC Version

OVP (over voltage protection)  
UVP (under voltage protection)  
OCP (over current protection)  
SCP (short circuit protection)  
Reverse protection

## Ordering Information

### Standard

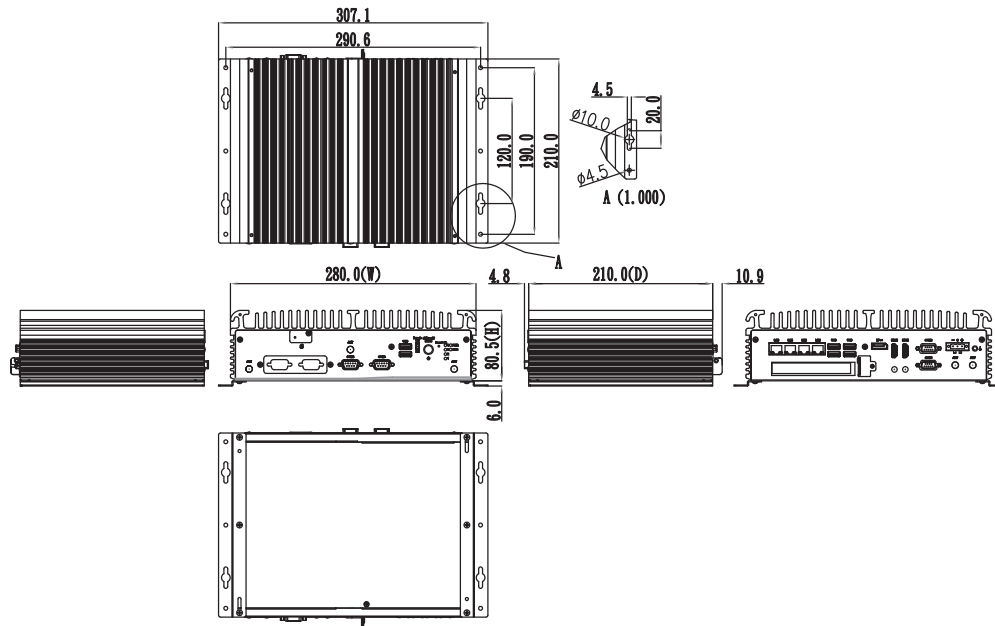
|  |  |
|--|--|
| eBOX710A-CML-PCIe<br>(P/N: E36K710A00) | Fanless embedded system with LGA1200 socket 11th/10th gen Intel® Core™ i9/i7/i5/i3 or Celeron® processor, Intel® H420E, 2 HDMI, DisplayPort, 6 USB, 4 LAN, PCIe x4 slot, and 9 to 48 VDC |
|--|--|

### Optional

|               |  |
|---------------|--|
| 2.5" SATA HDD | 80GB or above                            |
| 2.5" SATA SSD | 100GB or above                           |
| DDR4 SO-DIMM  | 8GB to 32GB                              |
| mSATA         | 64GB or above                            |
| 8816K6718A0E  | Wall mount kit                           |
| 886K671A0A0E  | DIN-rail kit                             |
|               | Wi-Fi/LTE/5G module                      |
| 509000001500  | 24V 120W power adapter<br>Power cord     |
| E392906101    | AX92906 COM Mini PCIe Module             |
| E392903102    | AX92903 CANbus PCI Express Mini module   |
| E392902103    | AX92902 LAN PCI Express Mini module      |
| E392918103    | AX92918 Dual LAN PCI Express Mini module |
| 590000002700  | DIO cable, L=20 cm, DB9 connector        |

\* Specifications and certifications may vary based on different requirements.

## Dimensions



**IP SYSTEMES**  
8 rue du Colonel Chambonnet – BP67  
69672 BRON Cedex  
Tel. : 04 72 14 18 00  
Fax : 04 72 14 18 01  
[www.ip-systemes.com](http://www.ip-systemes.com) – [info@ip-systemes.fr](mailto:info@ip-systemes.fr)